



Riolito

Linear Shower Drain

The wedi Fundo Riolito is a unique and fully prefabricated tileable unit featuring linear or channel drains. Water drains away through a narrow gap between the cover plate and adjacent tiling. The wedi Fundo Riolio shower drain can be installed with wedi® Building Panels and Curbs to guarantee a waterproof assembly.

Riolito

The Riolito offers three cover plate options for the integrated channel drain, each made of high quality stainless steel. By adjusting cover plate height, the Fundo Riolito can be combined with nearly any tile or natural stone surface, in a range of thicknesses from 1/4" to 1/2" for the Standard or Deluxe channel covers and from 1/4" to 3/4" for the tileable channel cover. The Riolito includes a drain set that can be glued to a 2" pipe (ending 1-1/8" below floor top surface) using solvent cement glue.

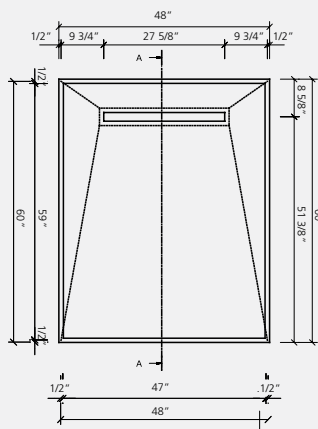
The Riolito is a great solution to enable homeowners, designers and installers to take bath design into the future. Fully tested for superior performance, this system is the ideal blend of innovation and practical application.

Useful Facts:

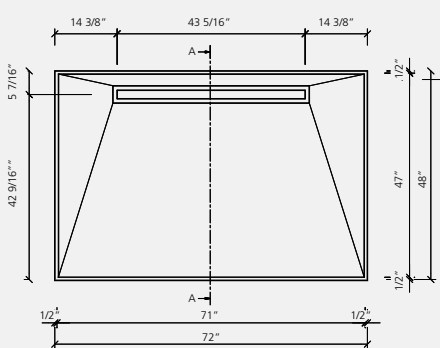
- The drainage rate is 16 gal/minute.
- The prefabricated slope is 1/4 in/ft.
- Even large-format tiles can be used in the thinbed process. Fundo Riolito has a true level slope and is ideal where ADA requirements should be met.



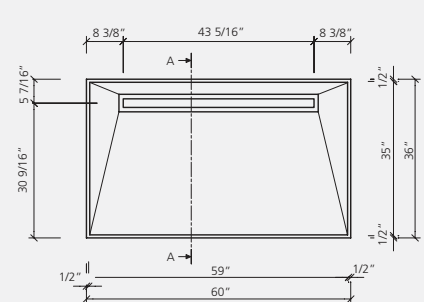
07-37-83/523 Fundo Riolito
w/Standard Cover plate 4' x 5' w/drain



07-37-83/525 Fundo Riolito
w/Standard Cover plate 6' x 4' w/drain



07-37-83/526 Fundo Riolito
w/Standard Cover plate 5' x 3' w/drain



wedi® system components:

- wedi® Riolito
- wedi® Building Panel
- wedi® Curbs
- wedi® Ramps
- wedi® Seats
- wedi® Niches
- wedi® joint sealant
- wedi® fasteners
- wedi® tools

Assembly Instruction

wedi® Fundo *Riolito* | Floor element



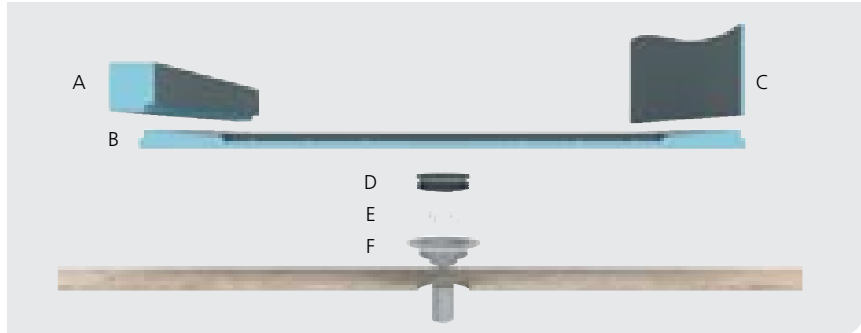
Assembly Instructions

wedi® Fundo Riolito

Information

Legend

- A Curb
- B wedi® Fundo Riolito
- C Building Panel
- D Sealing collar
- E Screws
- F Drain body



Tool & Material

- Bucket
- Notch Trowel
- Drill with Thinset Mixer
- Utility Knife
- Straight Edge/T Square 5 ft or longer
- Speed Square
- Caulk Gun
- Handsaw
- Flat Head Screwdriver
- Cordless Drill or Hammer
- Solid Putty Knife
- Paper Towels
- Level
- Circular Saw
- Saw Horse
- Tape Measure
- Permanent Marker
- Extension Cord for Powertools
- PVC Pipe Cement Glue and Primer
- Inside PVC Pipe Cutter

Installation instructions wedi® Fundo Riolito onto wooden floors

Before Installation

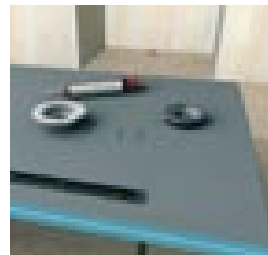
- Sub floor is level, sound and meets deflection criteria
- If Shower base is to be installed floor level, make sure you build out a stable depression and deep enough to receive base + thin set
- 2" PVC pipe is cut 1 1/8" below top of sub floor surface
- 2" drain assembly below floor is stabilized and will not sink under water load
- Make sure wedi® drain and 2" pipe is safely connected using PVC cement and primer
- Only wedi® products (wedi® sealant, wedi® fasteners, wedi® building panel, wedi® curb, wedi® ramp) are used for wedi® Fundo Riolito assembly
- Installer has been instructed by wedi® staff or has been informed about proper wedi® assembly steps through wedi® installation brochure and video.

After Installation

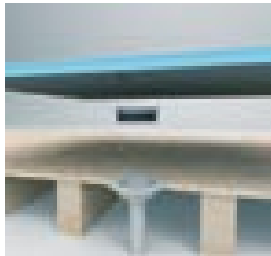
- All bottom perimeter joints, curb joints, vertical and horizontal panel joints are visibly covered with wedi® sealants.
- Coverage should be continuously visible for at least 3/4" on each side of the joint.
- No mastic adhesives are to be used to install tile.



1 Cut the 2" pipe 1 1/8" below the top of the subfloor surface of the floor construction. Make sure that the cut out fits to the Fundo panel drain. Cut out a 4 1/4" diameter hole around the 2" pipe to allow the wedi® drain to be inserted into the subfloor. The drain and trap have to be sturdily fastened to the sub floor.



2 Assemble the drain unit following the instruction drawing.



3 Glue and seal the wedi® drain body to the 2" pipe. Mount the seaming collar to the wedi® Riolito underside counterpart.



4 Skim coat the thinset ANSI 118.4 and comb through with a 1/4" x 1/4" notch trowel.



5 Trowel the thinset on the rear side of the Fundo again using a 1/4" x 1/4" notch trowel.



6 Press the Fundo firmly into the thinset bed, ensuring that the installation is level and void free. Apply some weight equally and for at least 30 minutes (thinset bags).



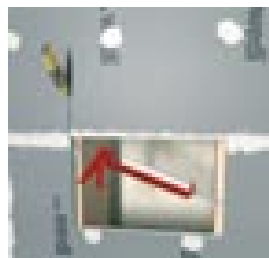
7 Set up a continuous 1/2" bead of wedi® sealant along the pans channel on the outer perimeter. Note that the wedi® joint sealant starts setting up after 15 minutes. Set the beads separately for each panel installed.



8 You are ready to install the wedi® Building Panels around the Fundo, fixed and sealed in the Fundo channels bead of sealant. Fasten the panels directly to the studs using one wedi® fastener per foot. One extra fastener is set in between seams of panels to create a flush transition.



9 Set up continuous 1/2" beads of sealant between and in all seams to adjacent panels. Excessive sealant is smoothed out using a putty knife. An additional 1/2" bead of caulk is set along the inside bottom joints connecting the wall panels and base and spread flat over the joint. All fasteners are covered with sealant.



10 wedi® Niches are installed in a cut out in the wedi® wall and attach with its flange right into the center of 16 o.c. studs. wedi® joint sealant is set along the connection of wall to niche.



11 2 Fasteners each side of the niche are set to create a flush transition to the wall panels. Another 1/2" bead of wedi® sealant is spread over fasteners and seams.



12 A continuous 1/2" bead of sealant is set into the channel and along the vertical curb notch part. A 1/2" bead of sealant is set against both wedi® walls. A 1/2" bead of thin set mortar is set on the floor. The tightly cut to fit curb is pressed into the connection.

Installation instructions wedi® Fundo Riolito Drain Cover

General Information

- A Drain Cover Fundo Riolito standard: Polished Stainless Steel Standard Version
- B Drain Cover Fundo Riolito exclusive: High Grade Stainless Steel Version
- C Drain Cover Fundo Riolito tileable: Can be tiled with epoxy glue/adhesive. Can be used for 1/4" and 1/2" tile/stone (reverse cover)



1 Mount the screw heads to the threaded bolts inside the drain channel and bring them to the desired height so that the drain cover finish will sit slightly lower or flush with your tile or stone.



2 Align the square screw heads so that the drain cover finish can be inserted. The screw heads will support the drain cover finish even under heavy duty conditions.

IAPMO RESEARCH AND TESTING, INC.

5001 East Philadelphia Street, Ontario, California 91761-2816 • (909) 473-4100 Fax (909) 473-4266 • www.iapmo.org



CERTIFICATE OF LISTING

IAPMO Research and Testing, Inc. is a product certification body which tests and inspects samples taken from the supplier's stock or from the market or a combination of both to verify compliance to the requirements of applicable codes and standards. This activity is coupled with periodic surveillance of the supplier's factory and warehouses as well as the assessment of the supplier's Quality Assurance System. This listing is subject to the conditions set forth in the characteristics below and is not to be construed as any recommendation, assurance or guarantee by IAPMO Research and Testing, Inc. of the product compliance by Authority Having Jurisdiction.

Effective Date:	May 2009	Valid After: May 2010
Product:	Non-Integral Tile Flange Kits	File No. 4953
Issued To:	Wedi GmbH 225 Peachtree St Ne Atlanta, GA 30303	

IDENTIFICATION: Manufacturer's name or trademark and the UPC® certification mark.

CHARACTERISTICS: Non-Integral flanges and tiling heads to be installed in accordance with the manufacturer's instructions and the requirements of the latest edition of the Uniform Plumbing Code.

Products comply with the applicable sections of the latest edition of the Uniform Plumbing Code® and the International Plumbing Code®. Manufactured in compliance with IAPMO PS 44-2006a.

Products listed on this certificate have been tested by an IAPMO R&T recognized laboratory. This recognition has been granted based upon the laboratory's compliance to the applicable requirements of ISO/IEC 17025.

MODELS:

Wedi Fundo Tileable Shower Pan: 363", 384", 385", 386", 406", 4x5' 4x6", 4x7", 5x5", 5x6", 5x7"
 Wedi Fundo Riolito Shower Pan: 3'x3", 4'x6"

David McHenry
 Chairman, Product Certification Committee

Sh. Mammian
 Senior Director of R&T



This listing is for the period indicated herein and is void after the date shown above. Any change in material, manufacturing process, marking or design without having first obtained the approval of the Product Certification Committee, or any evidence of non-compliance with applicable codes and standards or of inferior workmanship, may be deemed sufficient cause for revocation of this listing. Reproduction of or reference to this form for advertising purposes may be made only by specific written permission of IAPMO Research and Testing, Inc. Any alteration of this certificate could be grounds for revocation of the listing.